

Discontinuation Notice of Proximity sensor model E2A3 series.**Product Discontinuation**

Proximity sensor

Model E2A3 Series**Recommended Replacement**

Proximity sensor

Model E2E-Next Series**[Final order entry date]**

The end of November, 2020

[Date of The Last Shipping]

The end of December , 2020

[Scheduled date of maintenance close]

The end of November , 2020

[Caution on recommended replacement]

E2E-Next series has the "I/O-Link" connection method (PNP type only).

[Difference from discontinued product]

Recommended replacement Model	Body Color	Dimensions	Wire connection	Mounting Dimensions	Characteristics	Operation ratings	Operation methods
E2E Next series	*	*	*	**	*	*	-

** : Compatible

* : The change is a little/Almost compatible

-- : Not compatible

- : No corresponding specification

[Product Discontinuation and recommended replacement.]

E2A3 Product Code	Description	E2E-Next Product Code	Replace Description1
E2A37001G	E2A3-M12KS06-WP-B1 2M	E2EN0897H	E2E-X6B1T12 2M
E2A37002E	E2A3-M12KS06-WP-B2 2M	E2EN0898F	E2E-X6B212 2M
E2A37003C	E2A3-M12KS06-WP-C1 2M	E2EN0655M	E2E-X6C112 2M
E2A37004A	E2A3-M12KS06-WP-C2 2M	E2EN0656H	E2E-X6C212 2M
E2A37005M	E2A3-M18KS11-WP-B1 2M	E2EN1515M	E2E-X12B1T18 2M
E2A37006H	E2A3-M18KS11-WP-B2 2M	E2EN1516H	E2E-X12B218 2M
E2A37007F	E2A3-M18KS11-WP-C1 2M	E2EN1293B	E2E-X12C118 2M
E2A37008D	E2A3-M18KS11-WP-C2 2M	E2EN1294M	E2E-X12C218 2M
E2A37009B	E2A3-M30KS20-WP-B1 2M	E2EN2089G	E2E-X22B1T30 2M

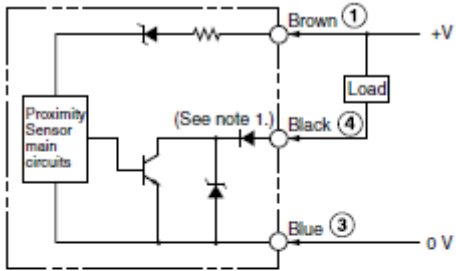

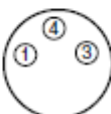
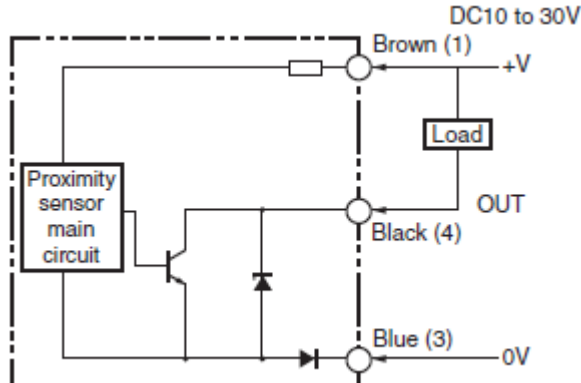
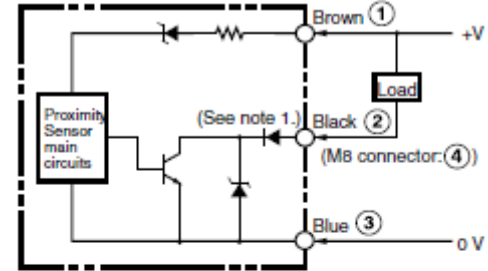
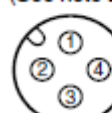

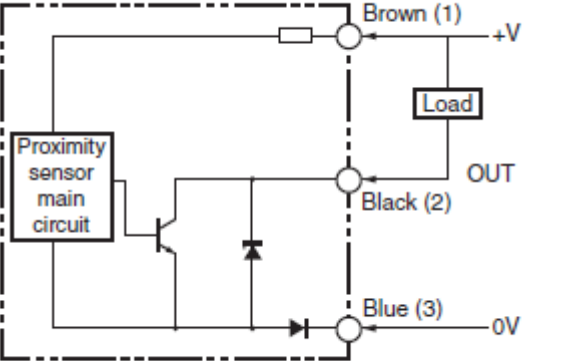
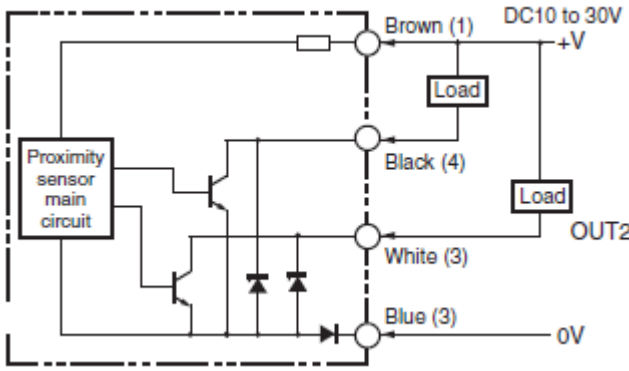
E2A3 Product Code	Description	E2E-Next Product Code	Replace Description1
E2A37010F	E2A3-M30KS20-WP-B2 2M	E2EN2090M	E2E-X22B230 2M
E2A37011D	E2A3-M30KS20-WP-C1 2M	E2EN1879E	E2E-X22C130 2M
E2A37012B	E2A3-M30KS20-WP-C2 2M	E2EN1880R	E2E-X22C230 2M
E2A37013M	E2A3-M12KS06-M1-B1	E2EN0915M	E2E-X6B1T12-M1
E2A37014R	E2A3-M12KS06-M1-B2	E2EN0916H	E2E-X6B212-M1
E2A37015G	E2A3-M12KS06-M1-C1	E2EN0673H	E2E-X6C112-M1
E2A37016E	E2A3-M12KS06-M1-C2	E2EN0674F	E2E-X6C212-M1
E2A37017C	E2A3-M18KS11-M1-B1	E2EN1533H	E2E-X12B1T18-M1
E2A37018A	E2A3-M18KS11-M1-B2	E2EN1534F	E2E-X12B218-M1
E2A37019M	E2A3-M18KS11-M1-C1	E2EN1311D	E2E-X12C118-M1
E2A37020C	E2A3-M18KS11-M1-C2	E2EN1312B	E2E-X12C218-M1
E2A37021A	E2A3-M30KS20-M1-B1	E2EN2107R	E2E-X22B1T30-M1
E2A37022M	E2A3-M30KS20-M1-B2	E2EN2108G	E2E-X22B230-M1
E2A37023H	E2A3-M30KS20-M1-C1	E2EN1897C	E2E-X22C130-M1
E2A37024F	E2A3-M30KS20-M1-C2	E2EN1898A	E2E-X22C230-M1
E2A37025D	E2A3-S08KS03-WP-B1 2M	E2EN0281C	E2E-X3B1T8 2M
E2A37026B	E2A3-S08KS03-WP-B2 2M	E2EN0282A	E2E-X3B28 2M
E2A37027M	E2A3-S08KS03-WP-C1 2M	E2EN0037C	E2E-X3C18 2M
E2A37028R	E2A3-S08KS03-WP-C2 2M	E2EN0038A	E2E-X3C28 2M
E2A37029G	E2A3-S08KS03-M1-B1	E2EN0293G	E2E-X3B1T8-M1
E2A37030M	E2A3-S08KS03-M1-B2	E2EN0294E	E2E-X3B28-M1
E2A37031R	E2A3-S08KS03-M1-C1	E2EN0049G	E2E-X3C18-M1
E2A37032G	E2A3-S08KS03-M1-C2	E2EN0050M	E2E-X3C28-M1
E2A37033E	E2A3-S08KS03-M5-B1	E2EN0297M	E2E-X3B1T8-M5
E2A37034C	E2A3-S08KS03-M5-B2	E2EN0298H	E2E-X3B28-M5
E2A37035A	E2A3-S08KS03-M5-C1	E2EN0053E	E2E-X3C18-M5
E2A37036M	E2A3-S08KS03-M5-C2	E2EN0054C	E2E-X3C28-M5
E2A37037H	E2A3-M18KS11-WP-B2 5M	E2EN1519B	E2E-X12B218 5M
E2A37038F	E2A3-M18KS11-WP-C2 5M	E2EN1297E	E2E-X12C218 5M
E2A37039D	E2A3-M18KS11-WP-B1 5M	E2EN1518D	E2E-X12B1T18 5M
E2A37040H	E2A3-S08KS03-WP-B1 5M	E2EN0283M	E2E-X3B1T8 5M
E2A37041F	E2A3-M12KS06-WP-C1-J 2M	E2EN0673H	E2E-X6C112-M1
E2A37042D	E2A3-M12KS06-WP-C2-J 2M	E2EN0656H	E2E-X6C212 2M
E2A37043B	E2A3-M18KS11-WP-C1-J 2M	E2EN1293B	E2E-X12C118 2M
E2A37044M	E2A3-M18KS11-WP-C2-J 2M	E2EN1294M	E2E-X12C218 2M
E2A37045R	E2A3-M30KS20-WP-C1-J 2M	E2EN1879E	E2E-X22C130 2M
E2A37046G	E2A3-M30KS20-WP-C2-J 2M	E2EN1880R	E2E-X22C230 2M
E2A37047E	E2A3-S08KS03-WP-C1-J 2M	E2EN0037C	E2E-X3C18 2M
E2A37048C	E2A3-S08KS03-WP-C2-J 2M	E2EN0038A	E2E-X3C28 2M
E2A37049A	E2A3-M30KS20-WP-B2 10M	N/A	N/A
E2A37050E	E2A3-S08KS03-M3-B1	N/A	N/A
E2A37051C	E2A3-S08KS03-M5J-B1 0.3M	N/A	N/A
E2A37052A	E2A3-S08KS03-WP-B1-1 0.3M	N/A	N/A

[Body color]



Product discontinuation Model E2A3 series	Recommendable replacement Model E2E-Next series
Metal threaded body with gray color cable	Metal threaded body with black color cable

[Wire connection]

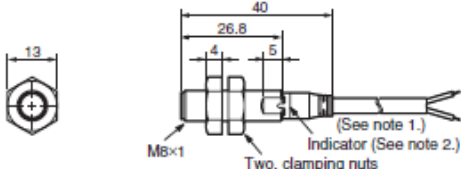
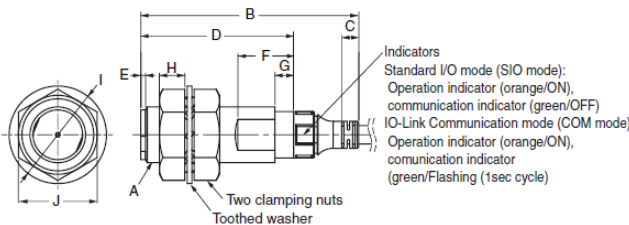
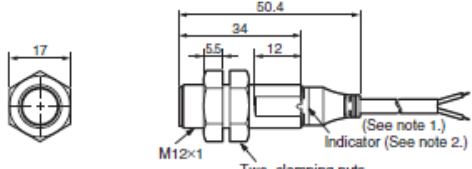
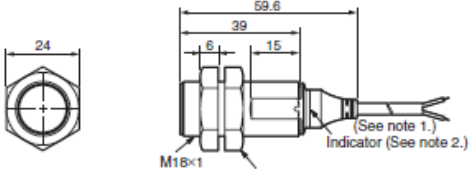
Product discontinuation Model E2A3 series	Recommendable replacement Model E2E-next Series				
<p>NO(Normal Open) type PNP Type: E2A3-***-B1</p> <p>Note 1: With M8 Size Models, there is no output reverse polarity protection diode.</p> <p>M12 Connector Pin Arrangement (See note 2.)</p> <p>M8 Connector (3-pin) Pin Arrangement</p> <p>Note 2: Terminal 2 of the M12 connector is not used.</p>	<p>Type: E2E-**-B1</p> <table border="1"> <tr> <th style="text-align: center;">Standard I/O mode (SIO mode) When using as a general</th> <th style="text-align: center;">IO-Link Communication mode (COM mode) When using the Sensor connected to IO-Link Master Unit *</th> </tr> <tr> <td> </td> <td> </td> </tr> </table> <p>Its pin assignment of connector type is as same as E2A3.</p>	Standard I/O mode (SIO mode) When using as a general	IO-Link Communication mode (COM mode) When using the Sensor connected to IO-Link Master Unit *		
Standard I/O mode (SIO mode) When using as a general	IO-Link Communication mode (COM mode) When using the Sensor connected to IO-Link Master Unit *				
<p>NC(Normal Close) type PNP Type: E2A3-***-B2</p> <p>Note 1: With M8 Size Models, there is no output reverse polarity protection diode.</p> <p>M12 Connector Pin Arrangement (See note 2.)</p> <p>M8 Connector (3-pin) Pin Arrangement</p> <p>Note 2: Terminal 4 of the M12 connector is not used.</p>	<p>Type: E2E-***-B2</p> <p>Note: M8 (3-pin) Connector: (1)(4)(3)</p> <p>Its pin assignment of connector type is as same as E2A3.</p>				
<p>NO+NC Type of PNP</p> <p>Not available</p>	<p>Type: E2E-***-B3</p>				

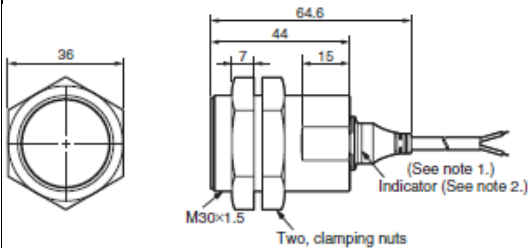
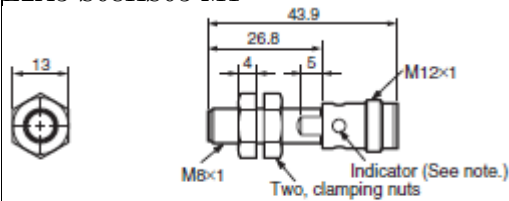
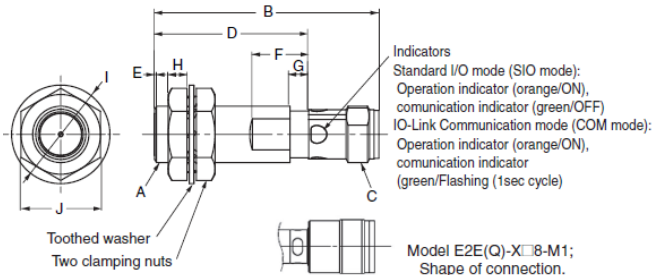
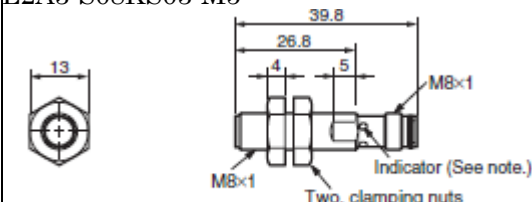
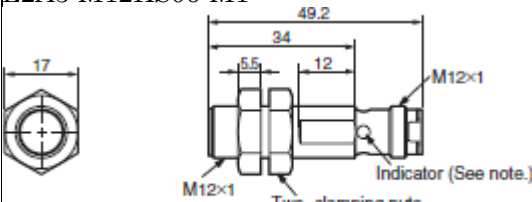
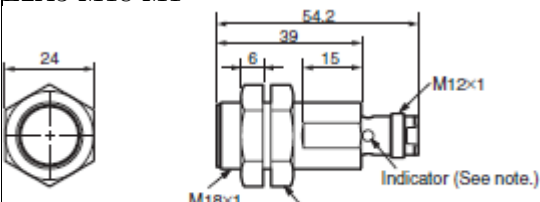
<p align="center">Product discontinuation Model E2A3 series</p>	<p align="center">Recommendable replacement Model E2E-next Series</p>
<p>NO(Normal Open) type NPN Type: E2A3-***-C1</p>  <p>Note 1: With M8 Size Models, there is no output reverse polarity protection diode.</p> <p>M12 Connector Pin Arrangement (See note 2.)</p>  <p>M8 Connector (3-pin) Pin Arrangement</p>  <p>Note 2: Terminal 2 of the M12 connector is not used.</p>	<p>Type: E2E-***-C1</p>  <p>Its pin assignment of connector type is as same as E2A3.</p>
<p>NC(Normal Cpen) type NPN</p>  <p>Note 1: With M8 Size Models, there is no output reverse polarity protection diode.</p> <p>M12 Connector Pin Arrangement (See note 2.)</p>  <p>M8 Connector (3-pin) Pin Arrangement</p>  <p>Note 2: Terminal 4 of the M12 connector is not used.</p>	 <p>Note: M8 (3-pin) Connector: (1)(4)(3)</p> <p>Its pin assignment of connector type is as same as E2A3.</p>
<p>NO+NC Type of PNP</p> <p>Not available</p>	<p>Model: E2E-***-C3</p>  <p>DC10 to 30V</p>

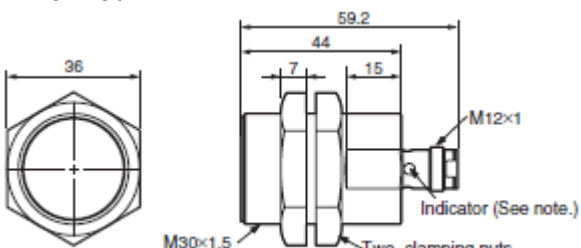
[Mounting dimensions]

Product discontinuation Model E2A3 series	Recommendable replacement Model E2E-next Series																				
<p>Mounting Hole Cutout Dimensions</p>  <table border="1"> <thead> <tr> <th>External diameter of Proximity Sensor</th> <th>Dimension F (mm)</th> </tr> </thead> <tbody> <tr> <td>M8</td> <td>8.5 dia. $^{+0.5}_0$</td> </tr> <tr> <td>M12</td> <td>12.5 dia. $^{+0.5}_0$</td> </tr> <tr> <td>M18</td> <td>18.5 dia. $^{+0.5}_0$</td> </tr> <tr> <td>M30</td> <td>30.5 dia. $^{+0.5}_0$</td> </tr> </tbody> </table>	External diameter of Proximity Sensor	Dimension F (mm)	M8	8.5 dia. $^{+0.5}_0$	M12	12.5 dia. $^{+0.5}_0$	M18	18.5 dia. $^{+0.5}_0$	M30	30.5 dia. $^{+0.5}_0$	<p>Mounting Hole Cutout Dimensions</p>  <table border="1"> <thead> <tr> <th>External diameter of Proximity Sensor</th> <th>Dimension F (mm)</th> </tr> </thead> <tbody> <tr> <td>M8</td> <td>8.5 dia. $^{+0.5}_0$</td> </tr> <tr> <td>M12</td> <td>12.5 dia. $^{+0.5}_0$</td> </tr> <tr> <td>M18</td> <td>18.5 dia. $^{+0.5}_0$</td> </tr> <tr> <td>M30</td> <td>30.5 dia. $^{+0.5}_0$</td> </tr> </tbody> </table>	External diameter of Proximity Sensor	Dimension F (mm)	M8	8.5 dia. $^{+0.5}_0$	M12	12.5 dia. $^{+0.5}_0$	M18	18.5 dia. $^{+0.5}_0$	M30	30.5 dia. $^{+0.5}_0$
External diameter of Proximity Sensor	Dimension F (mm)																				
M8	8.5 dia. $^{+0.5}_0$																				
M12	12.5 dia. $^{+0.5}_0$																				
M18	18.5 dia. $^{+0.5}_0$																				
M30	30.5 dia. $^{+0.5}_0$																				
External diameter of Proximity Sensor	Dimension F (mm)																				
M8	8.5 dia. $^{+0.5}_0$																				
M12	12.5 dia. $^{+0.5}_0$																				
M18	18.5 dia. $^{+0.5}_0$																				
M30	30.5 dia. $^{+0.5}_0$																				

[Dimensions]

Product discontinuation Model E2A3	Recommendable replacement Model E2E-Next series																																																																																																			
<p>M8 Pre-wired type E2A3-S08KS03-WP-**</p>  <p>Note 1. 4-dia. vinyl-insulated round cable with 3 conductors (Conductor cross section: 0.3 mm²; Insulator diameter: 1.3 mm), Standard length: 2 m</p> <p>2. Operation indicator (yellow)</p>	<p>Pre-wired Models of E2E-Next series (dimension table).</p>  <p>Indicators Standard I/O mode (SIO mode): Operation indicator (orange/ON), communication indicator (green/OFF) IO-Link Communication mode (COM mode): Operation indicator (orange/ON), communication indicator (green/Flashing (1sec cycle))</p> <p>Two clamping nuts Toothed washer</p> <p>Pre-wired Models (Operation mode: NO, NC Type)</p> <p>Vinyl-insulated round cable with 3 conductors M8, M12 size: 4-dia. M18, M30 size: 6-dia. (Conductor cross section: 0.2 mm² (AWG24), Insulator diameter: 1.05 mm), Standard length: 2 m</p> <p>(Operation mode: NO+NC Type)</p> <p>Vinyl-insulated round cable with 4 conductors M12 size: 4.3-dia. M18/M30 size: 6-dia. (Conductor cross section: 0.2 mm² (AWG24), Insulator diameter: 1.05 mm), Standard length: 2 m</p> <p>Pre-wired Connector Models (M12J) M12xP1</p> <p>(Operation mode: NO, NC Type) Vinyl-insulated round cable with 3 conductors M8, M12 size: 4-dia. M18, M30 size: 6-dia. (Conductor cross section: 0.2 mm² (AWG24), Insulator diameter: 1.05 mm), Standard length: 0.3 m</p> <p>(Operation mode: NO+NC Type) Vinyl-insulated round cable with 4 conductors M12 size: 4.3-dia. M18, M30 size: 6-dia. (Conductor cross section: 0.2 mm² (AWG24), Insulator diameter: 1.05 mm), Standard length: 0.3 m</p>																																																																																																			
<p>M12 Pre-wired type E2A3-M12KS06-WP-**</p>  <p>Note 1. 4-dia. vinyl-insulated round cable with 3 conductors (Conductor cross section: 0.3 mm²; Insulator diameter: 1.3 mm), Standard length: 2 m</p> <p>2. Operation indicator (yellow)</p>	<p>Shielded</p> <table border="1"> <thead> <tr> <th>Model</th> <th>A</th> <th>B</th> <th>C</th> <th>D</th> <th>E</th> <th>F</th> <th>G*</th> <th>H</th> <th>I</th> <th>J</th> </tr> </thead> <tbody> <tr> <td>E2E(Q)-X□8</td> <td>M8XP1</td> <td>37.8</td> <td>4.4</td> <td>26</td> <td>1</td> <td>10</td> <td>4</td> <td>4</td> <td>15</td> <td>13</td> </tr> <tr> <td>E2E(Q)-X□12</td> <td>M12XP1</td> <td>47.1</td> <td>3.7</td> <td>33</td> <td>1</td> <td>12</td> <td>4</td> <td>5.5</td> <td>21</td> <td>17</td> </tr> <tr> <td>E2E(Q)-X□18</td> <td>M18XP1</td> <td>55.3</td> <td>8.5</td> <td>38</td> <td>1</td> <td>12</td> <td>4</td> <td>6</td> <td>29</td> <td>24</td> </tr> <tr> <td>E2E(Q)-X□30</td> <td>M30XP1.5</td> <td>60.3</td> <td>8.3</td> <td>43</td> <td>1</td> <td>12</td> <td>4</td> <td>7</td> <td>42</td> <td>36</td> </tr> <tr> <td>E2E-X□L8</td> <td>M8XP1</td> <td>47.8</td> <td>4.4</td> <td>36</td> <td>1</td> <td>10</td> <td>---</td> <td>4</td> <td>15</td> <td>13</td> </tr> <tr> <td>E2E-X□L12</td> <td>M12XP1</td> <td>69.1</td> <td>3.7</td> <td>55</td> <td>1</td> <td>12</td> <td>---</td> <td>5.5</td> <td>21</td> <td>17</td> </tr> <tr> <td>E2E-X□L18</td> <td>M18XP1</td> <td>77.3</td> <td>8.5</td> <td>60</td> <td>1</td> <td>12</td> <td>---</td> <td>6</td> <td>29</td> <td>24</td> </tr> <tr> <td>E2E-X□L30</td> <td>M30XP1.5</td> <td>82.3</td> <td>8.3</td> <td>65</td> <td>1</td> <td>12</td> <td>---</td> <td>7</td> <td>42</td> <td>36</td> </tr> </tbody> </table> <p>Note1: E2E-Next series has one toothed washer.</p> <p>Note2: E2E(Q) means E2EQ series and E2EQ series is for welding process type and has the threaded body and sensing head covered with the fluorine resin for spatter resistance.</p>	Model	A	B	C	D	E	F	G*	H	I	J	E2E(Q)-X□8	M8XP1	37.8	4.4	26	1	10	4	4	15	13	E2E(Q)-X□12	M12XP1	47.1	3.7	33	1	12	4	5.5	21	17	E2E(Q)-X□18	M18XP1	55.3	8.5	38	1	12	4	6	29	24	E2E(Q)-X□30	M30XP1.5	60.3	8.3	43	1	12	4	7	42	36	E2E-X□L8	M8XP1	47.8	4.4	36	1	10	---	4	15	13	E2E-X□L12	M12XP1	69.1	3.7	55	1	12	---	5.5	21	17	E2E-X□L18	M18XP1	77.3	8.5	60	1	12	---	6	29	24	E2E-X□L30	M30XP1.5	82.3	8.3	65	1	12	---	7	42	36
Model	A	B	C	D	E	F	G*	H	I	J																																																																																										
E2E(Q)-X□8	M8XP1	37.8	4.4	26	1	10	4	4	15	13																																																																																										
E2E(Q)-X□12	M12XP1	47.1	3.7	33	1	12	4	5.5	21	17																																																																																										
E2E(Q)-X□18	M18XP1	55.3	8.5	38	1	12	4	6	29	24																																																																																										
E2E(Q)-X□30	M30XP1.5	60.3	8.3	43	1	12	4	7	42	36																																																																																										
E2E-X□L8	M8XP1	47.8	4.4	36	1	10	---	4	15	13																																																																																										
E2E-X□L12	M12XP1	69.1	3.7	55	1	12	---	5.5	21	17																																																																																										
E2E-X□L18	M18XP1	77.3	8.5	60	1	12	---	6	29	24																																																																																										
E2E-X□L30	M30XP1.5	82.3	8.3	65	1	12	---	7	42	36																																																																																										
<p>M18 Pre-wired type E2A3-M18KS11-WP-**</p>  <p>Note 1. 4-dia. vinyl-insulated round cable with 3 conductors (Conductor cross section: 0.3 mm²; Insulator diameter: 1.3 mm), Standard length: 2 m</p> <p>2. Operation indicator (yellow)</p>																																																																																																				

<p align="center">Product discontinuation Model E2A3</p>	<p align="center">Recommendable replacement Model E2E-Next series</p>																																																																																																																									
<p>M30 Pre-wired type E2A3-M30KS20-WP-**</p>  <p>Note 1. 4-dia. vinyl-insulated round cable with 3 conductors (Conductor cross section: 0.3 mm²; Insulator diameter: 1.3 mm), Standard length: 2 m 2. Operation indicator (yellow)</p>	<p>Note3: Fixing Nut set is as same as E2A3 series.</p> <p>See previous page.</p>																																																																																																																									
<p>M8 connector type with M12 size connector E2A3-S08KS03-M1-**</p>  <p>Note: Operation indicator (yellow LED, 4×90°)</p>	<p>Connector models of E2E-Next series (dimension table).</p>  <p>Indicators Standard I/O mode (SIO mode): Operation indicator (orange/ON), communication indicator (green/OFF) IO-Link Communication mode (COM mode): Operation indicator (orange/ON), communication indicator (green/Flashing (1sec cycle))</p> <p>Toothed washer Two clamping nuts</p> <p>Model E2E(Q)-X□8-M1; Shape of connection.</p>																																																																																																																									
<p>M8 connector type with M8 size connector E2A3-S08KS03-M5-**</p>  <p>Note: Operation indicator (yellow LED, 4×90°) M5-**</p>	<table border="1"> <thead> <tr> <th>Model</th> <th>A</th> <th>B</th> <th>C</th> <th>D</th> <th>E</th> <th>F^{*1}</th> <th>G^{*2}</th> <th>H</th> <th>I</th> <th>J</th> </tr> </thead> <tbody> <tr> <td>E2E(Q)-X□30 X□8-M3/M5</td> <td>M8XP1</td> <td>39</td> <td>M8XP1</td> <td>26</td> <td>---</td> <td>10 (8)</td> <td>4</td> <td>3</td> <td>15</td> <td>13</td> </tr> <tr> <td>E2E(Q)-X□8-M1</td> <td>M8XP1</td> <td>43</td> <td>M12XP1</td> <td>26</td> <td>---</td> <td>10 (8)</td> <td>4</td> <td>3</td> <td>15</td> <td>13</td> </tr> <tr> <td>E2E(Q)-X□12-M1</td> <td>M12XP1</td> <td>48</td> <td>M12XP1</td> <td>33</td> <td>---</td> <td>12 (10)</td> <td>4</td> <td>4</td> <td>21</td> <td>17</td> </tr> <tr> <td>E2E(Q)-X□18-M1</td> <td>M18XP1</td> <td>53</td> <td>M12XP1</td> <td>38</td> <td>---</td> <td>12 (10)</td> <td>4</td> <td>4</td> <td>29</td> <td>24</td> </tr> <tr> <td>E2E(Q)-X□30-M1</td> <td>M30XP1.5</td> <td>58</td> <td>M12XP1</td> <td>43</td> <td>---</td> <td>12 (10)</td> <td>4</td> <td>5</td> <td>42</td> <td>36</td> </tr> <tr> <td>E2E-X□L8-M3/M5</td> <td>M8XP1</td> <td>49</td> <td>M8XP1</td> <td>36</td> <td>---</td> <td>8</td> <td>---</td> <td>3</td> <td>15</td> <td>13</td> </tr> <tr> <td>E2E-X□L8-M1</td> <td>M8XP1</td> <td>53</td> <td>M12XP1</td> <td>36</td> <td>---</td> <td>8</td> <td>---</td> <td>3</td> <td>15</td> <td>13</td> </tr> <tr> <td>E2E-X□L12-M1</td> <td>M12XP1</td> <td>70</td> <td>M12XP1</td> <td>55</td> <td>---</td> <td>10</td> <td>---</td> <td>4</td> <td>21</td> <td>17</td> </tr> <tr> <td>E2E-X□L18-M1</td> <td>M18XP1</td> <td>75</td> <td>M12XP1</td> <td>60</td> <td>---</td> <td>10</td> <td>---</td> <td>4</td> <td>29</td> <td>24</td> </tr> <tr> <td>E2E-X□L30-M1</td> <td>M30XP1.5</td> <td>80</td> <td>M12XP1</td> <td>65</td> <td>---</td> <td>10</td> <td>---</td> <td>5</td> <td>42</td> <td>36</td> </tr> </tbody> </table>	Model	A	B	C	D	E	F ^{*1}	G ^{*2}	H	I	J	E2E(Q)-X□30 X□8-M3/M5	M8XP1	39	M8XP1	26	---	10 (8)	4	3	15	13	E2E(Q)-X□8-M1	M8XP1	43	M12XP1	26	---	10 (8)	4	3	15	13	E2E(Q)-X□12-M1	M12XP1	48	M12XP1	33	---	12 (10)	4	4	21	17	E2E(Q)-X□18-M1	M18XP1	53	M12XP1	38	---	12 (10)	4	4	29	24	E2E(Q)-X□30-M1	M30XP1.5	58	M12XP1	43	---	12 (10)	4	5	42	36	E2E-X□L8-M3/M5	M8XP1	49	M8XP1	36	---	8	---	3	15	13	E2E-X□L8-M1	M8XP1	53	M12XP1	36	---	8	---	3	15	13	E2E-X□L12-M1	M12XP1	70	M12XP1	55	---	10	---	4	21	17	E2E-X□L18-M1	M18XP1	75	M12XP1	60	---	10	---	4	29	24	E2E-X□L30-M1	M30XP1.5	80	M12XP1	65	---	10	---	5	42	36
Model	A	B	C	D	E	F ^{*1}	G ^{*2}	H	I	J																																																																																																																
E2E(Q)-X□30 X□8-M3/M5	M8XP1	39	M8XP1	26	---	10 (8)	4	3	15	13																																																																																																																
E2E(Q)-X□8-M1	M8XP1	43	M12XP1	26	---	10 (8)	4	3	15	13																																																																																																																
E2E(Q)-X□12-M1	M12XP1	48	M12XP1	33	---	12 (10)	4	4	21	17																																																																																																																
E2E(Q)-X□18-M1	M18XP1	53	M12XP1	38	---	12 (10)	4	4	29	24																																																																																																																
E2E(Q)-X□30-M1	M30XP1.5	58	M12XP1	43	---	12 (10)	4	5	42	36																																																																																																																
E2E-X□L8-M3/M5	M8XP1	49	M8XP1	36	---	8	---	3	15	13																																																																																																																
E2E-X□L8-M1	M8XP1	53	M12XP1	36	---	8	---	3	15	13																																																																																																																
E2E-X□L12-M1	M12XP1	70	M12XP1	55	---	10	---	4	21	17																																																																																																																
E2E-X□L18-M1	M18XP1	75	M12XP1	60	---	10	---	4	29	24																																																																																																																
E2E-X□L30-M1	M30XP1.5	80	M12XP1	65	---	10	---	5	42	36																																																																																																																
<p>M12 connector type E2A3-M12KS06-M1-**</p>  <p>Note: Operation indicator (yellow LED, 4×90°)</p>	<p>Note.1: E2E-Next series has one toothed washer.</p> <p>Note.2: E2E(Q) means E2EQ series and E2EQ series is for welding process type and has the threaded body and sensing head covered with the fluorine resin for spatter resistance.</p>																																																																																																																									
<p>M18 connector type E2A3-M18-M1-**</p>  <p>Note: Operation indicator (yellow LED, 4×90°)</p>	<p>Note.3: Fixing Nut set is as same as E2A3 series.</p>																																																																																																																									

Product discontinuation Model E2A3	Recommendable replacement Model E2E-Next series
<p>M30 connector type E2A3-M30-***-M1-**</p>  <p>Note: Operation indicator (yellow LED, 4×90°)</p>	<p>See previous page.</p>

[The difference of characteristics and operation ratings.]

Item	Product discontinuation Model E2A3 series	Recommendable replacement Model E2E-Next series																																				
Differential travel	20% max of sensing distance	15% max of sensing distance																																				
Standard sensing object	M18 size 33x33x1mm M30 size 60x60x1mm	M18 size 36x36x1mm M30 size 66x66x1mm																																				
Response frequency	M8 size 700Hz M12 size 350Hz M18 size 250Hz M30 size 80Hz	M8 size 1000Hz M12 size 800Hz M18 size 500Hz M30 size 200Hz																																				
Current consumption	10mA max.	16mA max.																																				
Load current	200mA max. (32VDCmax.)	100mA max. (10 to 30VDC Class2)																																				
Indicator LED	Yellow	Orange (I/O-Link mode: green LED blinking)																																				
Temperature influence	±20% max. of sensing distance at 23°C within temperature range of -25°C to 70°C -10% to +20% of sensing distance at 23°C within temperature range of -10°C to 60°C	±10% max. of sensing distance at 23°C in the temperature range of -25 to 70°C																																				
Weight (Packed state)	<table border="1" data-bbox="584 1384 1007 1469"> <thead> <tr> <th colspan="2">Approx.(g)</th> <th>M8</th> <th>M12</th> <th>M18</th> <th>M30</th> </tr> </thead> <tbody> <tr> <td>Weight</td> <td>Pre-wired</td> <td>65</td> <td>85</td> <td>160</td> <td>280</td> </tr> <tr> <td>(Packed state)</td> <td>Connector</td> <td>20</td> <td>35</td> <td>70</td> <td>200</td> </tr> </tbody> </table>	Approx.(g)		M8	M12	M18	M30	Weight	Pre-wired	65	85	160	280	(Packed state)	Connector	20	35	70	200	<table border="1" data-bbox="1038 1384 1461 1469"> <thead> <tr> <th colspan="2">Approx.(g)</th> <th>M8</th> <th>M12</th> <th>M18</th> <th>M30</th> </tr> </thead> <tbody> <tr> <td>Weight</td> <td>Pre-wired</td> <td>85</td> <td>95</td> <td>180</td> <td>280</td> </tr> <tr> <td>(Packed state)</td> <td>Connector</td> <td>40</td> <td>55</td> <td>95</td> <td>180</td> </tr> </tbody> </table> <p>Packed weight is a little heavier. Its weight difference comes from the toothed washer and explanation sheet in the package.</p>	Approx.(g)		M8	M12	M18	M30	Weight	Pre-wired	85	95	180	280	(Packed state)	Connector	40	55	95	180
Approx.(g)		M8	M12	M18	M30																																	
Weight	Pre-wired	65	85	160	280																																	
(Packed state)	Connector	20	35	70	200																																	
Approx.(g)		M8	M12	M18	M30																																	
Weight	Pre-wired	85	95	180	280																																	
(Packed state)	Connector	40	55	95	180																																	

Specifications and prices in this product news are as of the issue date and are subject to change without notice. Only main changes in specifications are described in this document. Please be sure to read the relevant catalogs, datasheets, product specifications, instructions, and manuals for precautions and necessary information when using products.